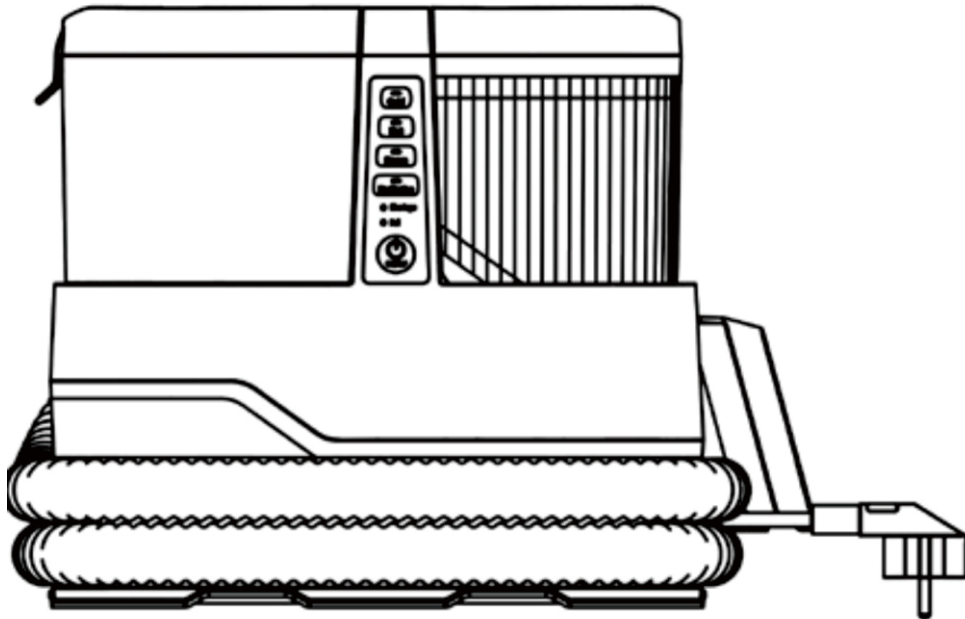


Portable Spot Cleaner Instruction Manual C688C



Read the instruction manual before using the machine.

Contents

- Warning 1-2
- Product Components 3
- Assembly of Product Components 4
- Product Usage Instructions 5-6
- Introduction to Usage 7
- Maintenance and Servicing 8
- Simple Troubleshooting 9
- Specifications 10

WARNING Notice before use

1. To avoid accidental injuries such as electric shock and fire caused by improper use, please read the instruction manual carefully before use and keep it properly.
2. This product cannot be used by people with physical, sensory or intellectual disabilities and people without relevant experience and knowledge (including children), unless they are supervised or guided by a guardian to ensure that they can use this product safely.
3. Children are prohibited from operating the product or using it as a toy. When using the product near children, they need to pay close attention; children are prohibited from cleaning or maintaining the product without a guardian.
4. Do not use the product to absorb flammable or explosive liquids such as gasoline, and do not inhale toxic solutions, such as chlorine bleach, ammonia, sewer cleaners or other liquids.
5. It is forbidden to use a fabric cleaning machine to clean lime, cement, plaster powder, fireplace ash and embers, large amounts of powder, carbon powder, etc. It is forbidden to inhale smoking or burning materials, such as charcoal, cigarette butts or matches.
6. Please check the area to be cleaned before use. If you find large pieces of paper paper balls, plastic cloth or sharp objects (such as glass, nails, screws, coins, etc.), as well as things with a diameter larger than the diameter of the straw, please remove them in advance to avoid clogging the suction pipe and affecting the normal use of the product.
7. Please use it under AC 220V-240V EU/ 110-120V (US)
8. When there is a foreign object blocking the nozzle, please stop working immediately.
9. If there is an abnormal sound or smell, please stop using it and check this manual or consult the customer service department.
10. Do not use the machine when the power cord and plug are broken or the plug is loose.
11. Do not touch or unplug the power plug with wet hands.
12. Do not allow infants to touch the power plug.
13. Do not spray insecticide, hair dye, lubricant and other liquids.
14. Do not disassemble, repair or modify by yourself.
15. Do not use in dangerous conditions such as rain, strong wind, etc.
16. Do not add water or pour water on the host to avoid electric shock and fire.
17. Do not inhale dirt and dust with suspected infectious diseases. Do not use without a waste bucket.
18. Do not use for other purposes other than cleaning.
19. Unplug the plug before long-term non-use, maintenance or repair.

WARNING Notice before use

USE THE POWER CORD AND PLUG PROPERLY

- Clean the plug from time to time.
- Plug in well when use it.
- Unplug the machine if the machine will not be used for a long time.
- Unplug the machine before maintenance, checking and moving.
- Do not plug or unplug the machine with wet hands.
- Keep the plug away from kids.
- Do not damage the power cord. Do not pull the plug violently when move the machine.
- Do not use the machine in case of damaged power cord or plug.
- Do not use overloaded socket.
- Do not use in case of any failures, cut the power and unplug the machine.

BELOW MATTERS ARE NOT ALLOWED TO BE PICKED UP

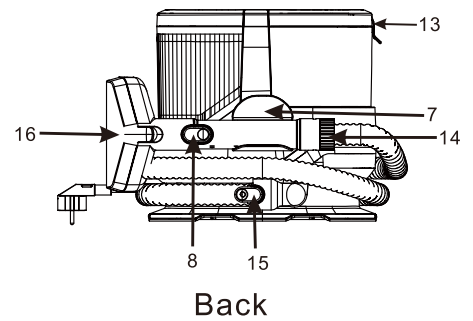
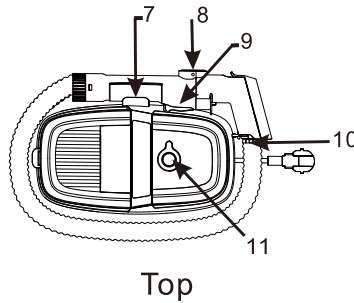
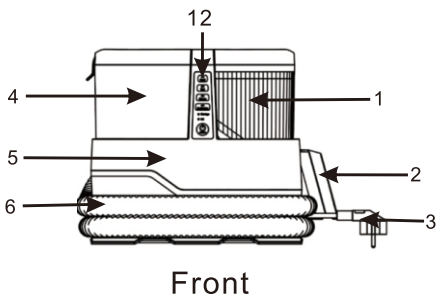
- Dry dust
- Big quantity of powder
- Big quantity of sand and stones
- Big quantity of rubbish
- Metal matters like needles, pins
- Big polybag and stockings
- Things easy to be dumped inside

CAUTION

- Do not use it other than cleaning.
- This machine is for household use only.
- Do not close to fire or heating equipment.
- Stop working if the water-spray mouth is blocked.
- Stop working if any foreign matters are taken in.
- Empty the tanks if anything in block before use again.
- Do not slant or ride on the machine.
- Do not use it in the scope touchable for kids.
- Not for outdoor use.
- Do not continue to use when the suction hole is blocked.

2. Product Components

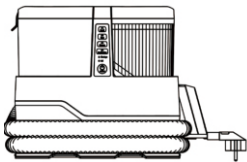
2.1 Names of each component



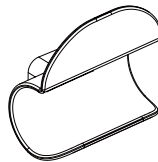
Components list:

1. Clean water tank 2. Cleaning brush 3. Power cord 4. Dirty water tank 5. Host 6. Hose 7. Handle support 8. Brush removal button 9. Spray button 10. Detachable brush holder 11. Silicone plug for clean water tank 12. Control panel 13. Clip for clean water tank removal 14. Swivel connector for hose 15. Hose removal button 16. Transparent viewing window

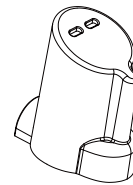
2.2 What's in the box?



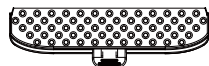
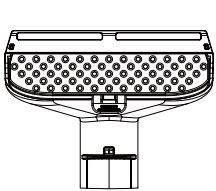
Machine



Winding and handle support



Self-cleaning tool

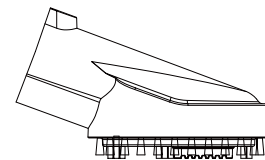


Straight brush head

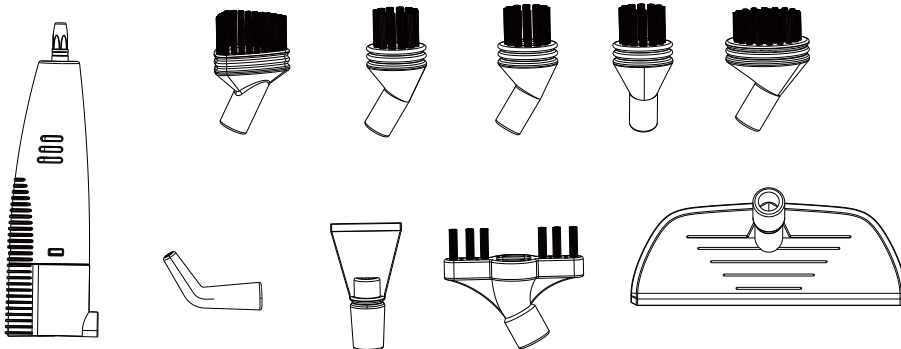


Silicone brush head

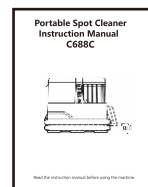
Two in one cleaning brush



shoes brush

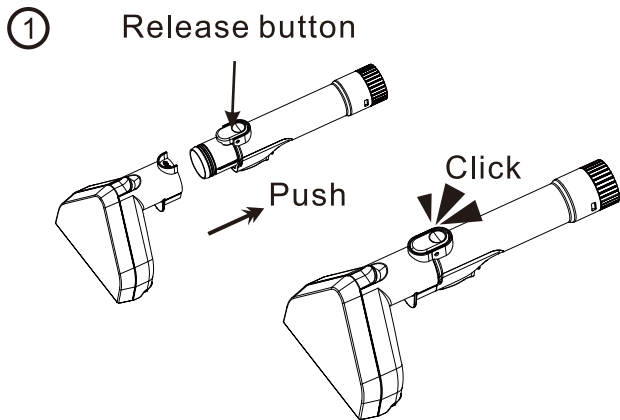


Multi-functional Assembly for Steam Sterilization



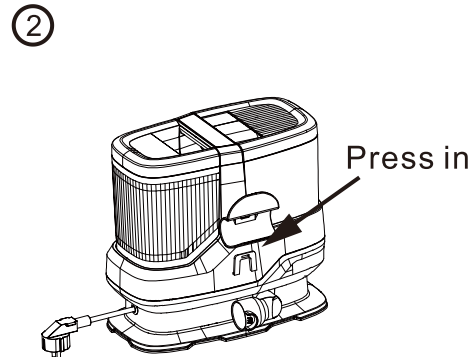
User Manual

3.Assembly of product components



1.Installation of the cleaning brush head

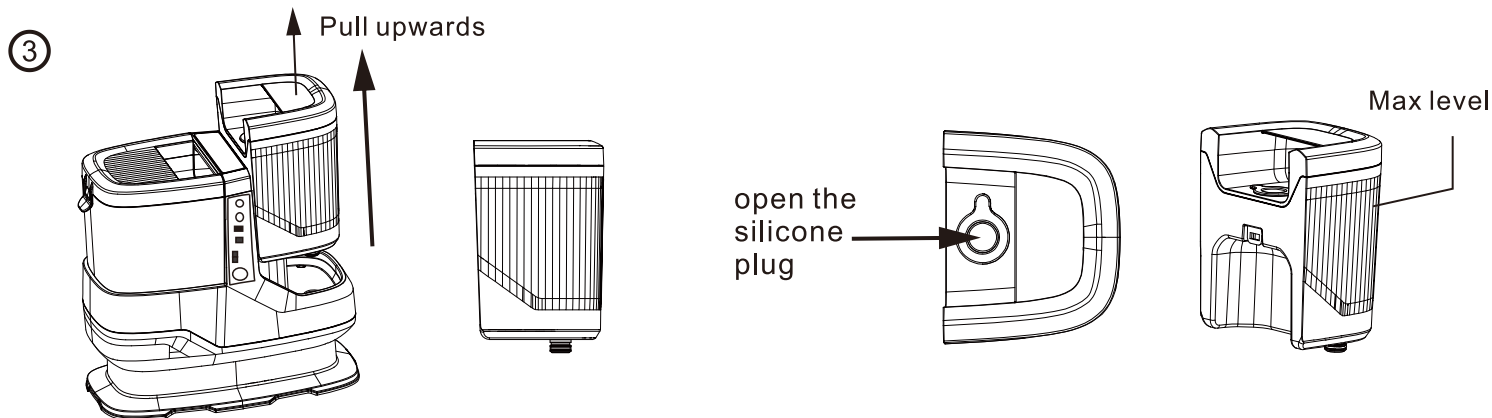
After aligning the cleaning brush head with the installation slot on the handle and pushing it in forcefully, a **clicking** sound indicates that it has been installed properly. The same applies to the assembly of the hose connector end.



2.Installation of handle bracket

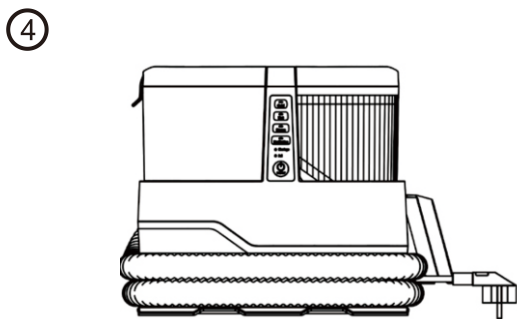
After aligning the handle bracket with the mounting slot on the main unit, push it in forcefully until the snap catch makes a rebound sound, indicating that it is properly assembled.

3.The water tank is filled with water

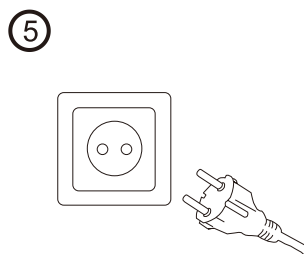


3.1 Method for disassembling the fresh water tank:
Pull up the fresh water tank upwards to completely

3.2 Watering method:
Remove the water tank, open the silicone plug of the water tank, and add water to the water tank filling hole until it reaches the maximum water level of the tank.



4.After filling the water, put the tank back into the machine.



5.Just plug in the power supply

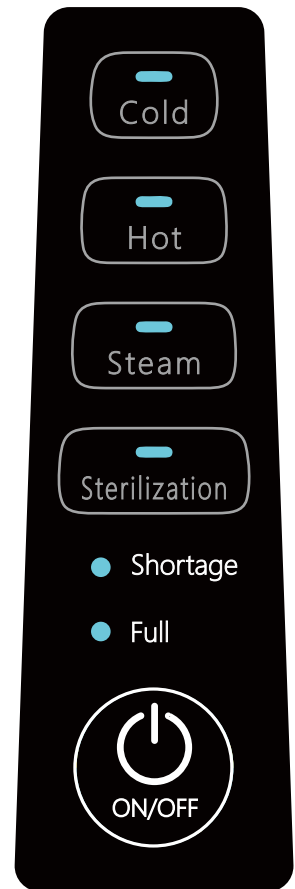
After the preparations are completed, you can connect the power supply to enjoy the cleaning pleasure brought by the fabric cleaning machine.

4. Product Usage Instructions

4.1 Function Introduction

[ON/OFF] Key: Used for the power-on/power-off function.

- **[Cold Water Cleaning] Mode:**
Switch to this mode, the fan starts. Press the "Spray Water Button" and water from the nozzle will spray out to clean.
- **[Hot Water Cleaning] Mode:**
Switch to this mode, the fan starts. Press the "Spray Water Button" and water from the nozzle will spray out for cleaning.
- **[Steam Cleaning] Mode:**
Switch to this mode, steam preparation begins. After 30 seconds, a voice prompt indicates completion. The fan starts, press the "Spray Water Button" and water from the nozzle will spray out for cleaning.
- **[Steam Sterilization] Mode:**
Switch to this mode, steam preparation begins. After 30 seconds, a voice prompt indicates completion. Press the "Spray Water Button" and water from the nozzle will spray out for sterilization.
- **[Shortage]:** When the fresh water tank is short of water, this light will come on.
- **[Full]:** When the water in the dirty water tank is full, this light will come on.



4. Product Usage Instructions

4.2 Instruction for Usage Steps

1. Remove all packaging materials.

2. Replacement of the brush head for the wide brush: This wide brush is a two-in-one type. The front side is a straight brush, and the back side is a silicone brush.

Method: First, turn the transparent window to remove it. Then, remove the brush head and replace it to the back side. Put on the silicone brush and it can be used.

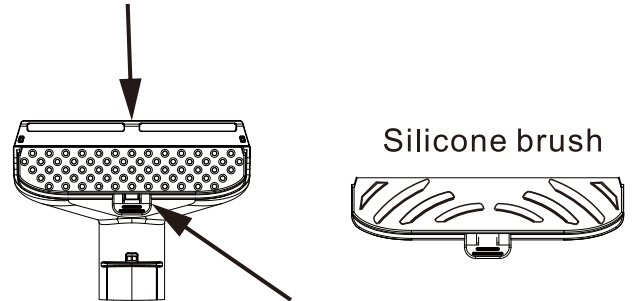
3. Connect the power supply. All indicator lights will be on and a voice will announce "Power On Completed". If there is no operation for 5 minutes in this state, the interface will enter the screen-off state. Press the **[ON/OFF]** key to restart the machine.

4. When the **[shortage]** indicator light is on, the machine can only draw water. Once the water tank is filled up, the spray head can resume spraying water and the water shortage indicator light will go off.

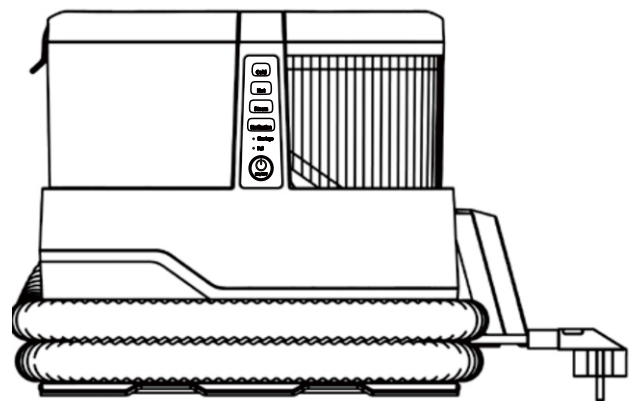
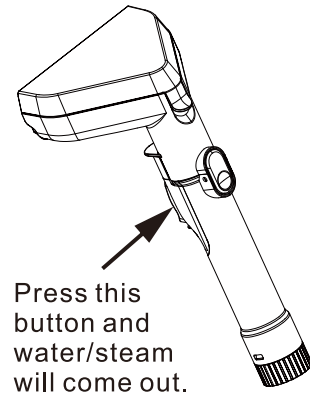
5. When the **[full]** indicator light is on, the machine stops working. It cleans and returns to the sewage tank, then presses the mode indicator light. The cleaner resumes working.

6. When cleaning is finished, press the **[ON/OFF]** and the entire machine will immediately stop working and enter the standby state. The screen will light up and display. In this state, long press the **[ON/OFF]** for 3 seconds and the interface will enter the screen-off state.

Pull out the transparent window and remove it.

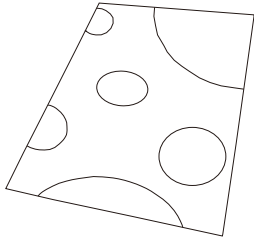


remove the brush head and replace it to the back side.

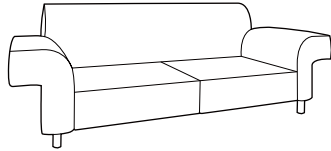


5. Introduction to Usage

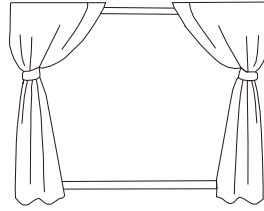
5.1 Scene Introduction



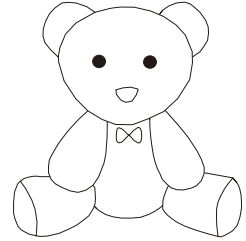
Carpet



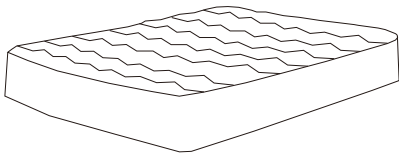
Sofa



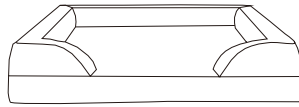
Curtain



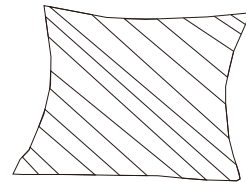
Doll



Mattress



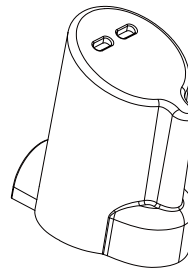
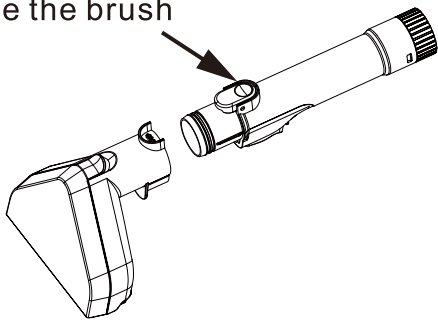
Pet bed



Cushion

5.2 Replacement of the machine brush

Press the "Brush removal button" to remove the brush head.



Self-cleaning head replacement: Press the brush head disassembly button, remove the brush head, install the self-cleaning brush head onto the handle, and then turn on the machine to select a low-temperature or high-temperature cleaning mode to effectively clean the machine's brush head and water suction pipe.

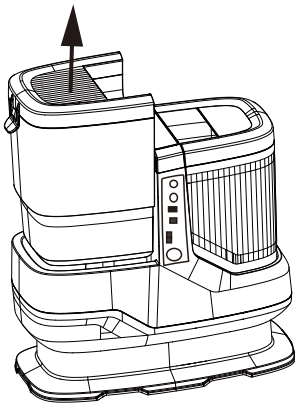
6. Maintenance and servicing

6.1 Cleaning of the sewage tank

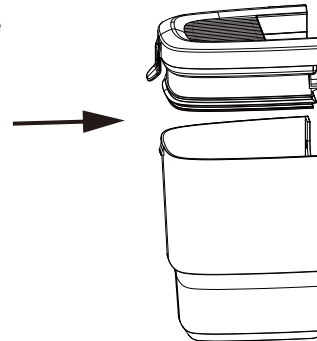
6.1.1 To maintain product performance, please clean the sewage tank regularly. If there is a lot of sewage in the sewage tank, the suction of this product may be weakened. If it is not used for a long time, it is also necessary to clean the sewage tank in time, otherwise it will produce odor. If the machine announces that the sewage tank is full, please clean the sewage tank in time. The voice also needs to be handled in time, otherwise the machine will not work properly.

6.1.2 How to disassemble the sewage tank: Remove the sewage tank from the main unit, then move the buckle on the sewage tank cover, remove the sewage tank cover, and clean the wastewater and garbage in the sewage tank.

Lift up by hand to remove the sewage tank



Remove the retaining clip and remove the dirty water tank cover.



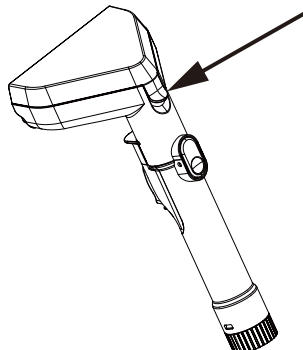
6.2 Cleaning the cleaning brush head

6.2.1 When the cleaning brush head is entangled with hair or clogged with dirt, please clean and maintain it in time.

6.2.2 When the cleaning brush is entangled with hair, you can use a tool to clean the hair or dirt on the brush.

6.2.3 When the cleaning brush is clogged, please remove the transparent cover on the cleaning brush and use the tool to clean the internal garbage.

Move the window buckle, remove the window, and clean the internal garbage

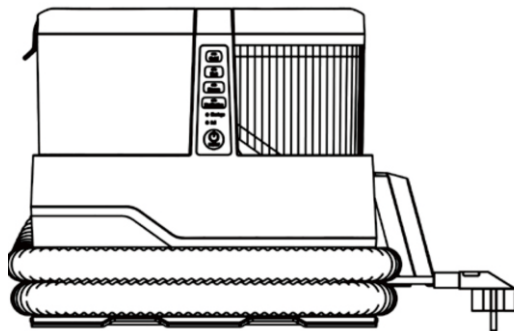


7. Simple troubleshooting

6.3 Arrangement of power cord and suction hose

6.3.1 After using the product, you can wrap the hose in the storage slot at the bottom of the machine.

After the power cord is stored, it can be prevented from being above the handle bracket, which is convenient for next use.

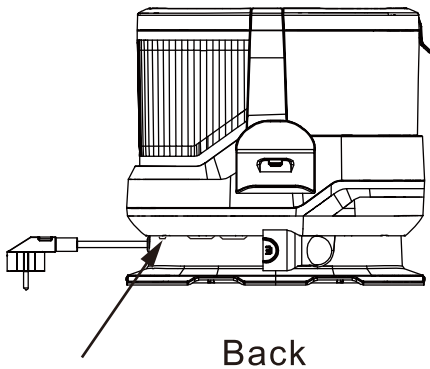


7.1 Troubleshooting List

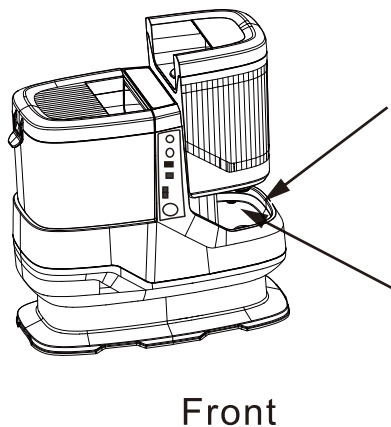
Please read below table carefully before contacting the maintenance agency to avoid any unnecessary losses.

| Fault | Possible Reasons | Measures |
|--|---|--|
| No water comes out or little water comes out after pressing the spray | <ul style="list-style-type: none"> • Spray water mouth is blocked. • Fresh water tank without water. • Internal water tube is clogged or broken. | Clean the mouth with pin. Fill the water to the fresh water tank. Contact the service agent. |
| Abnormal noise | <ul style="list-style-type: none"> • The suction port is blocked or it has sucked in large garbage. • The vacuum motor is broken. | Clean the dirt or garbage. Contact the service agent. |
| No suction or weak suction | <ul style="list-style-type: none"> • The dirty water tank is full. • Dirt blocking the suction port. | Clean the dirty water tank timely. Clean the dirt. |
| No working | <ul style="list-style-type: none"> • Low water level sensor of the fresh water tank is alarmed. • The dirty water tank is full and the sensor has triggered an alarm. | Fill the water to the fresh water tank. Clean the dirty water tank timely. Suggest to use the machine between 0 to 50 degrees ambient temperature. |
| The hot water is not hot | <ul style="list-style-type: none"> • The boiler heats up slowly. • The boiler does not heat up. | Wait for a longer period of time while heating. |

| Fault | Possible Reasons | Measures |
|--|---|---|
| Water dripping from the bottom of the machine | <ul style="list-style-type: none"> • Water accumulation at the bottom of the clean water tank, and flow out from the reserved drainage hole. • The dirty water tank is almost full or is full. • The handle is not inserted into the brush head and is directly placed in the water to absorb water. | <p>Clean the water at the bottom of the water tank in time. Clean the dirty water tank timely. Please use the machine with a matching brush head.</p> |
| Water accumulates at the bottom of the clean water tank | <ul style="list-style-type: none"> • Clean water tank drips when pulled out. | <p>Pull up slowly and clean the water at the bottom of the clean water tank in time.</p> |



Reserved drainage holes



Specifications

| | |
|--|-----------------------------|
| Name | Spot Cleaner |
| Item number | C688C |
| Voltage/Frequency | 220-240V(EU) / 110-120V(US) |
| Rated power | 1800W |
| Suction | ≥17 kPa |
| Clean water tank Dirty water tank | 1100ML 1200ML |
| IP rating | IPX4 |