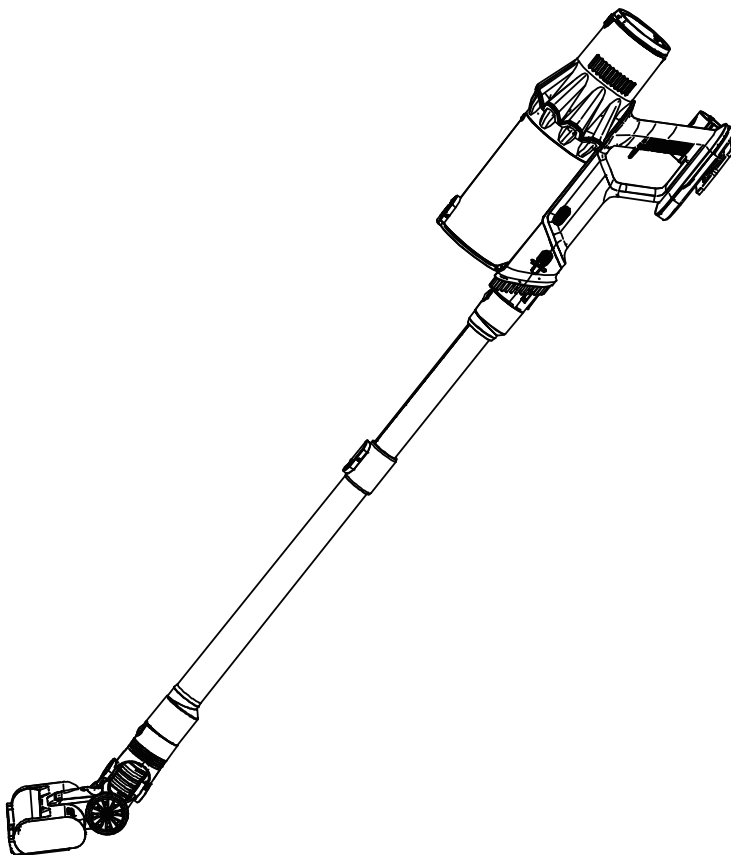


# Cordless Vacuum Cleaner operation instructions



---

# Catalogs

Contents.....2

Technical Specifications.....4

Product Structure Diagram.....5

Installation Instructions.....5, 6

Product Functions and Key Descriptions.....6, 7

Cleaning and Maintenance.....7, 8

Floor brush cleaning and maintenance.....8, 9

Regarding charging issues.....9, 10

Regarding machine storage.....10

Regarding fever.....10, 11

Tips.....11

FAQ.....11, 12

Precautions.....12, 13

- 
1. This appliance can be used by children aged from 8 years and above and persons with reduced physical, sensory or mental capabilities or lack of experience and knowledge if they have been given supervision or instruction concerning use of the appliance in a safe way and understand the hazards involved. Children shall not play with the appliance. Cleaning and user maintenance shall not be made by children without supervision.
  2. the appliance is only to be used with the power supply unit provided with the appliance.
  3. This appliance contains batteries that are non-replaceable
  4. **WARNING:** For the purposes of recharging the battery, only use the detachable supply unit provided with this appliance.
  5. the plug must be removed from the socket-outlet before cleaning or maintaining the appliance.
  6. This product immediately enter into off mode after charging is completed.

---

## Technical Specifications

Rated Voltage: 25.9V  $\text{===}$

Rated Power: 300W

Brush Motor: 25.9V  $\text{===}$  10W

Adaptor Input: 100-240V~ 50/60Hz 0.4 A Max

Adaptor Output: 30V  $\text{===}$  0.5A

Charging Time: 4.5h

Usage Time:  $\geq$  30 minutes

Noise: 78dB about

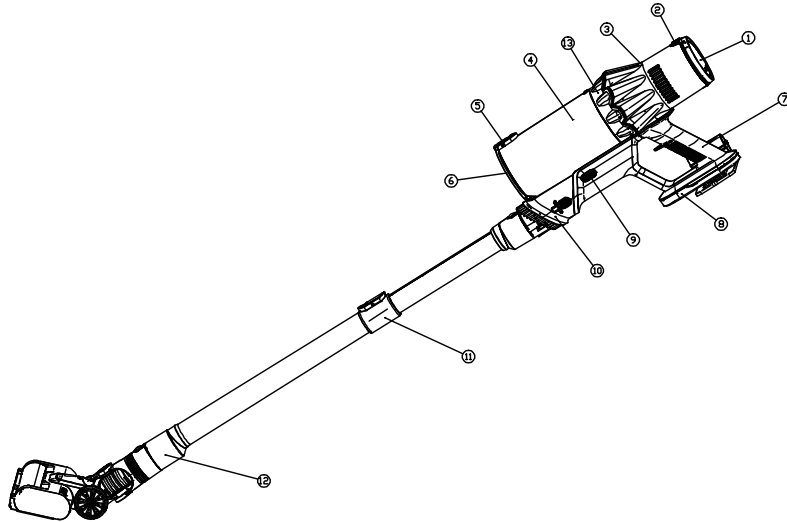
Off Mode: 0.3W



Wireless | High | Filter | Long lasting | Dust pouring  
Cleaning | Performance Motor | Battery Life

---

# Product Structure Diagram

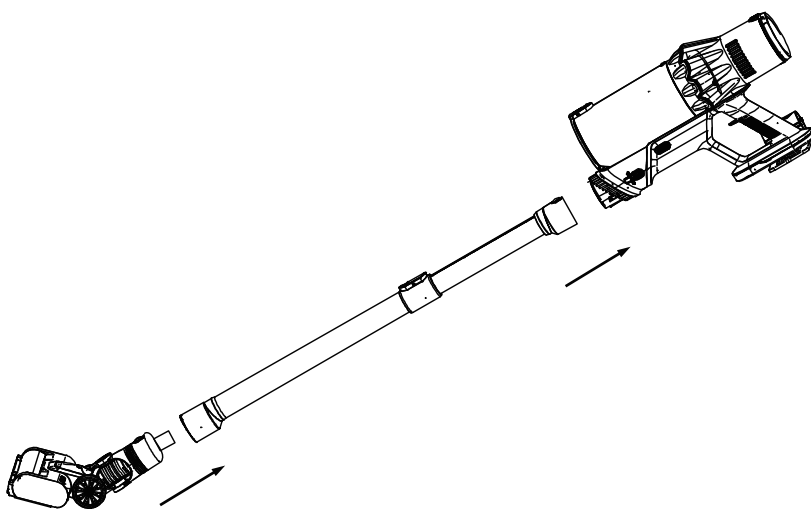


- |                       |                           |                   |
|-----------------------|---------------------------|-------------------|
| ① Battery pack        | ⑥ Dust cup bottom cover   | ⑪ Conductive tube |
| ② Battery pack button | ⑦ Main body               | ⑫ Scrubber        |
| ③ Motor back cover    | ⑧ Host bottom cover       | ⑬ Motor cover     |
| ④ Dust cup            | ⑨ Dust cup release button |                   |
| ⑤ Dust cup lid button | ⑩ Brush                   |                   |

## Installation instructions

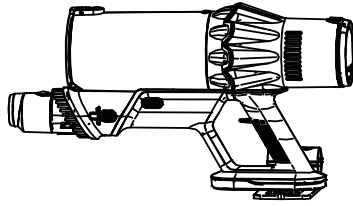
The machine is packaged in multiple components. Users need to assemble it after unpacking.

- 
- 1.Insert the battery pack into the host.
  - 2.Insert the aluminum tube into the host connector.
  - 3.Insert the floor brush into the lower joint of the aluminum tube.
  - 4.After assembling each component, it can be used.

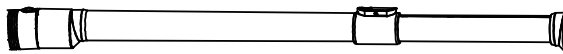


## **Product Functions and Key Descriptions**

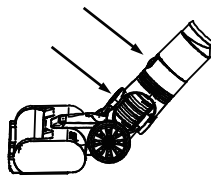
- 1.There are practical buttons and one charging port on the product host, which are respectively the machine switch, the bottom release buckle of the dust cup, the battery pack release button, the high, medium, and low-end touch switches, and the charging port.



2. There is one practical button on the aluminum tube of the product, which is the aluminum tube separation button.

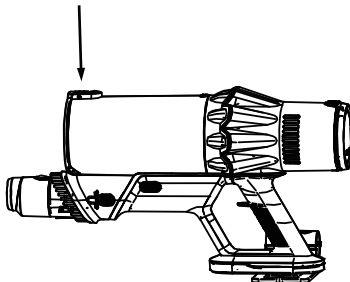


3. There are two buttons on the product brush, namely the brush separation button and the roller brush release button.



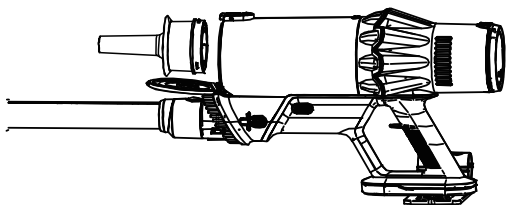
## Cleaning and Maintenance of Dust Cups

1. Press the bottom release buckle of the dust cup to pour out the internal dust.



---

2. Rotate and open the top, release the dust cup, remove the cyclone cone and HEPA for cleaning, air dry and reinstall in the opposite direction of the method.



3. ⚠ Do not use the machine without installing the cyclone cone and HEPA, otherwise damage cannot be covered by warranty.

## **Floor brush cleaning and maintenance**

Step 1: Push the roller brush release button

Step 2: Rotate it and remove it

Step 3: Rotate the roller brush and remove it

**This appliance should not be used by persons (including children) with reduced physical, sensory, or mental capabilities, or by those lacking experience and knowledge, unless they are supervised or instructed. Children must not play with the appliance.**

- 
- **the types of batteries that may be used;**
  - **how to remove and insert the batteries;**

1. Press the battery pack button to remove the old battery pack

2. Take the battery pack, press and hold the button to insert it into the machine

- **rechargeable batteries are to be removed from the appliance before being charged;**
- **different types of batteries or new and used batteries are not to be mixed;**
- **batteries are to be inserted with the correct polarity;**
- **exhausted batteries are to be removed from the appliance and safely disposed of;**
- **if the appliance is to be stored unused for a long period, the batteries should be removed;**
- **the supply terminals are not to be short-circuited.**

## **Regarding charging issues**

Only use the original charger provided by the manufacturer.

The model is powered by rechargeable batteries. When the battery level is low, the

---

machine display light flashes to remind you. At this time, you should use the charger that comes with the machine to charge it. The signal light flashes during charging, and when the light stays on, it indicates that the machine is fully charged. Do not use non-original chargers. This machine can be used continuously for about 30 minutes after being fully charged, which can meet the needs of normal home, car, apartment and other places.

## **Regarding machine storage**

Fix the wall bracket to the wall of the same height as the machine, and after the machine is used, insert the host into the designated position of the bracket.

## **Regarding fever**

Due to the high speed of the motor of the vacuum cleaner reaching tens of thousands of revolutions per minute, the fan blades rotate at high speed to create negative pressure. During the process of creating negative pressure, a large amount of heat is generated. About one minute after starting the vacuum cleaner, a lot of heat will be generated, and a small amount of plastic smell will be attached to the new machine at the beginning of use. These are all normal phenomena. Each machine

---

undergoes strict testing before shipment, and it is recommended to take a short break after working for about 30 minutes.

## **Tips**

This product is not intended for use by young children, individuals with disabilities, or persons lacking experience and knowledge, unless supervised by a responsible person.. If it is necessary to use it, a guardian or a person responsible for their behavior safety must be present to supervise.

## **FAQ**

### 1、 Decreased suction

It is possible that the dust cup has accumulated too much dust or the air inlet may be clogged with hair, fluff, etc. Remove the dust cup, clean the filter and HEPA, and remove hair, etc.

### 2、 The machine cannot be charged

The machine that has just been used may have overheated batteries. The machine should take self-protection measures and wait for the machine to cool down before charging. Or if the charger is burnt out, it needs to be replaced with the original charger.

---


### 3、 The floor brush does not rotate

The motor is equipped with automatic protection. When the resistance to the rotation of the local brush increases and the current increases, the brush stops rotating. At this time, the machine can be turned off and restarted for normal use.

## **Precautions**

- Please read this manual carefully before use and store it properly after reading.
- Before use, please refer to the voltage indication on the specification label to ensure that it meets the voltage provided by the socket before use.
- Keep the power plug and your hands dry to avoid the risk of electric shock.
- When plugging in or unplugging, hold the plug itself and do not pull the power cord to avoid damage.
- When using for the first time, please confirm that the dust bin is properly installed.
- Do not hang the power cord in sharp places such as table corners and door sills, and do not place the power cord near sources of fire, flammable materials, or hot objects such as gas, electric ovens, and heaters.

- 
- Do not use this machine to vacuum water, liquids, glass, or metal fragments.
  - Do not use this machine to vacuum flammable materials, ashes, cigarette butts, matches, or any materials that are still burning.
  - Do not disassemble, repair, or modify internal components by yourself.
  - Do not rinse the main body with water or soak it in water.
  - When the following situations occur, please stop using it immediately and send it to the dealer or contact them by phone for handling.
  - The power cord is damaged
  - Loose plug Collision or fall damage
  - The body accidentally fell into the water

 This symbol on the product, or on the documents accompanying the product, indicates that this appliance may not be treated as household waste. Instead it shall be handed over to the applicable collection point for the recycling of electrical and electronic equipment.